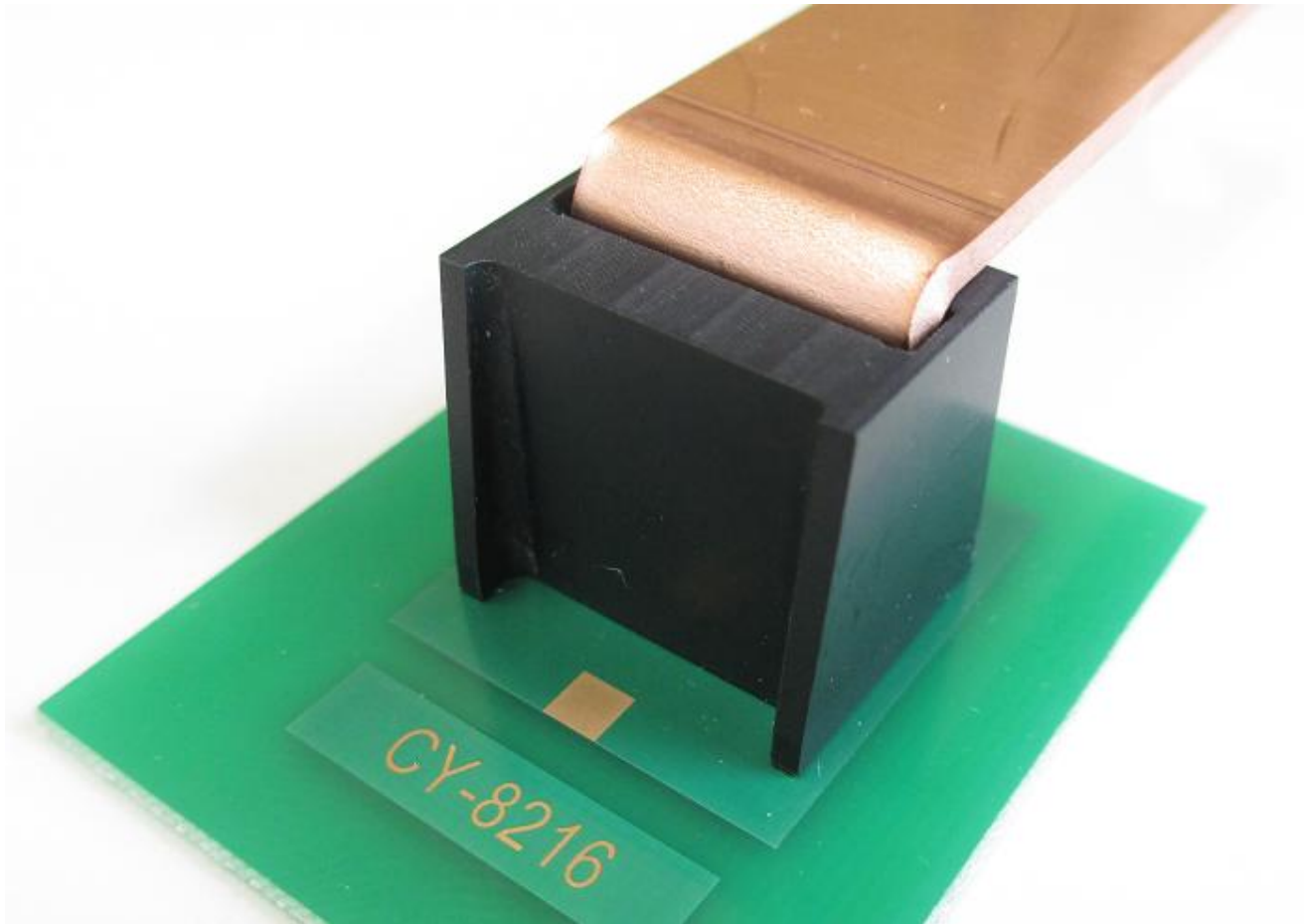


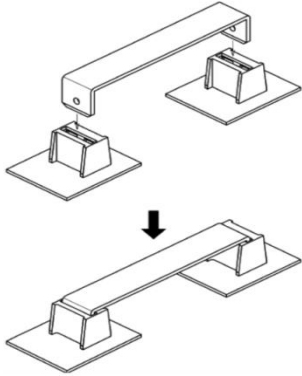
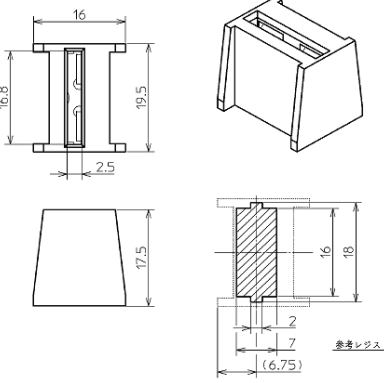
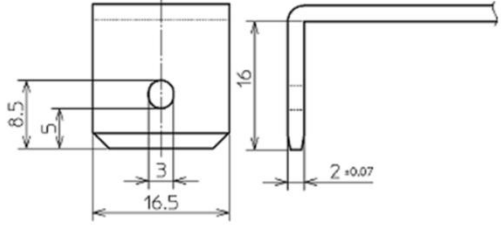
100A high current

One-touch construction with no screw connection



# Busbar connection terminal for **SMT**

**Purpose of use** Electrical connection between board-to-board and within board using the busbar

<p><b>【Example of busbar connection】</b></p> 	<p><b>【 Dimensions 】</b></p> 	<p><b>【Busbar mating part Dimension】</b></p>  <p>Busbar material : Coper , Surface Treatment : None. Dimensional tolerance without indication is <math>\pm 0.1</math>.</p> <p>※ For shapes other than the mating part, please make settings according to the energizing current.</p>
--	---	---

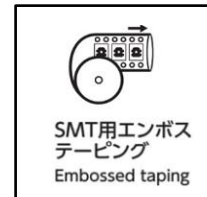
## Product Specifications

Product name	Busbar connection terminal
Rated current (max)	100 [A]
Temperature rise	45 [K] or less
Material	Brass + Resin
Surface Treatment	Tin plating
Amount of misalignment absorption at Busbar connection	X (horizontal )direction : $\pm 0.25$ mm
	Y (vertical) direction : $\pm 0.25$ mm
Mounting Method	Surface Mount
Delivery form	SMT Embossed Carrier Tape

## Product Summary

- 100A high current
- One-touch construction with no screw connection improves workability
- Surface mount products : can be mounted using the same process as general electronic components.

## Product Features



※Please contact us if you have any questions or concerns about our products.