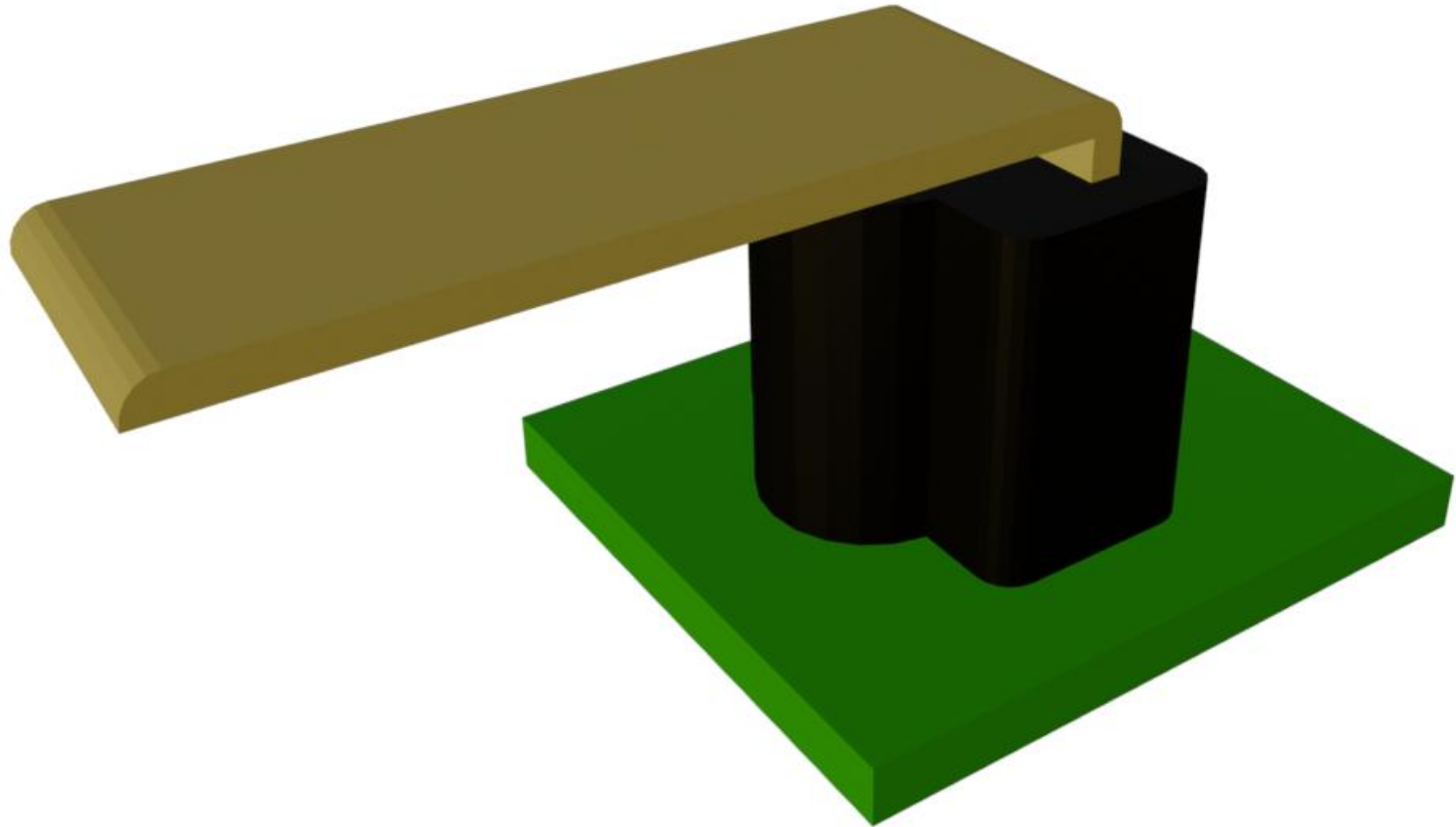


40A high current

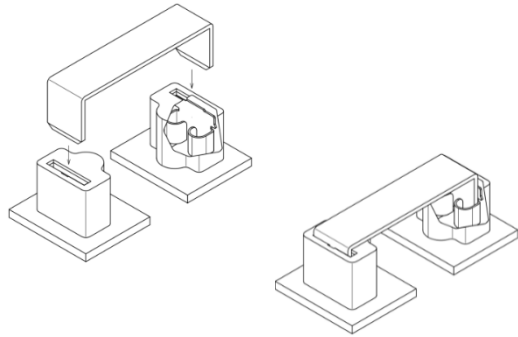
One-touch construction with no screw connection



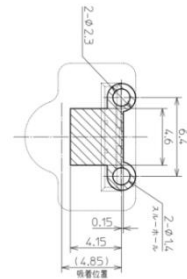
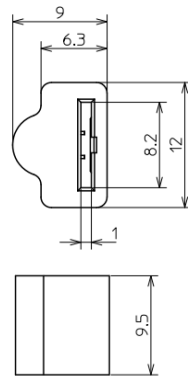
# Removable Busbar connection terminal for **SMT**

**Purpose of use** Electrical connection between board-to-board and within board using the busbar

## 【Example of busbar connection】

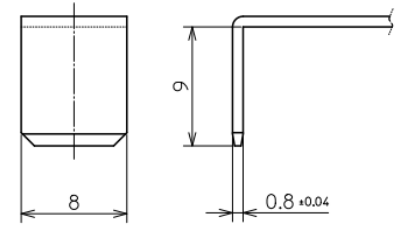


## 【 Dimensions 】



※Reference : solder resist diagram

## 【Busbar mating part Dimension】



Busbar material : Coper , Surface Treatment : None.  
Dimensional tolerance without indication is  $\pm 0.1$ .

※ For shapes other than the mating part, please make settings according to the energizing current.

## Product Specifications

Product name	Busbar connection terminal
Rated current (max)	40 [A]
Temperature rise	45 [K] or less
Material	Brass + Resin
Surface Treatment	Tin plating
Amount of misalignment absorption at Busbar connection	X (horizontal) direction : $\pm 0.1$ mm
	Y (vertical) direction : $\pm 0.1$ mm
Mounting Method	Surface Mount
Delivery form	SMT Embossed Carrier Tape

## Product Summary

- 40A high current
- One-touch construction with no screw connection improves workability
- Removable for multiple busbar insertions
- Surface mount products : can be mounted using the same process as general electronic components.

## Product Features



※Please contact us if you have any questions or concerns about our products.