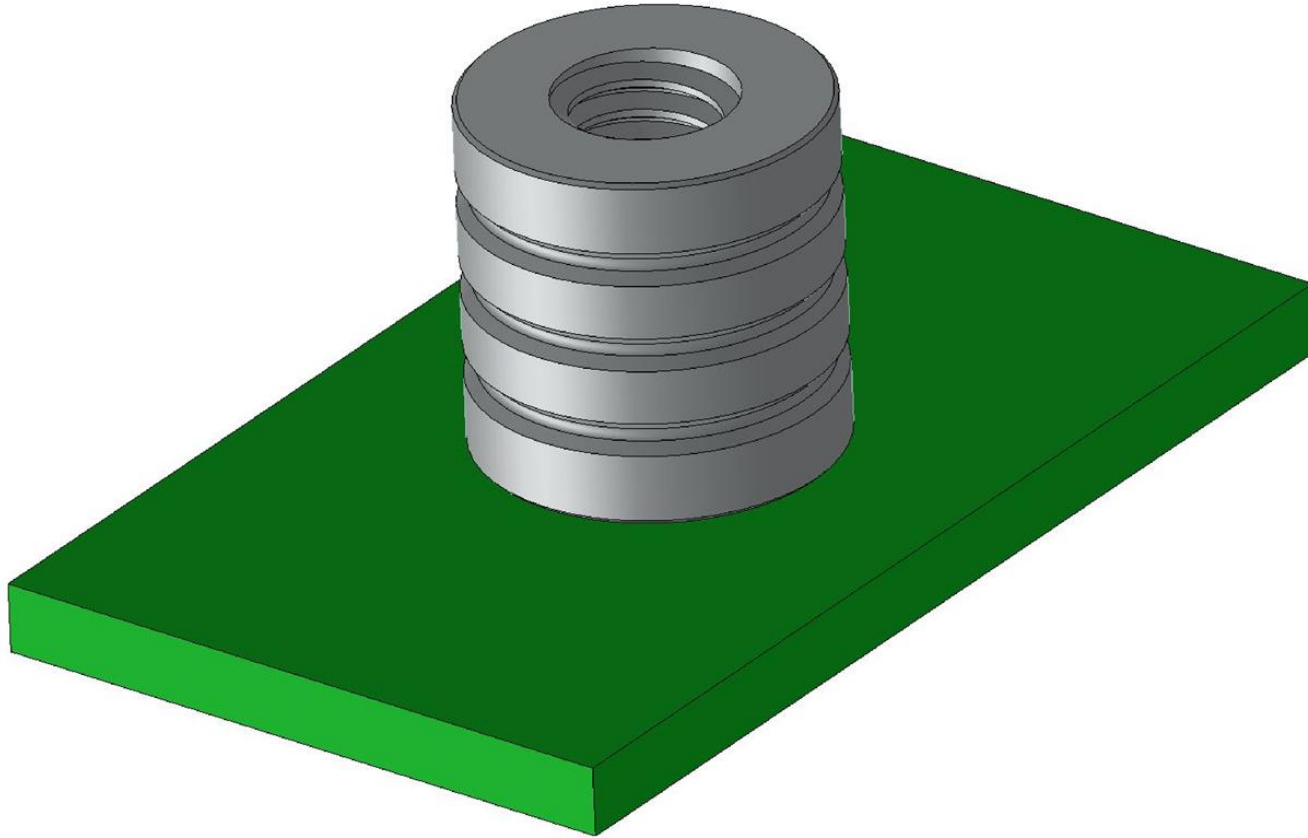


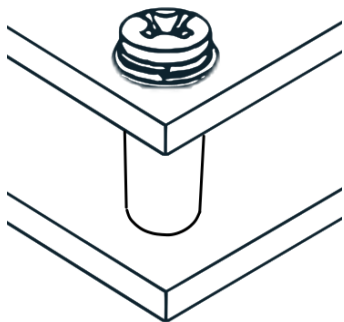
Approx. 70% weight reduction from a brass spacer



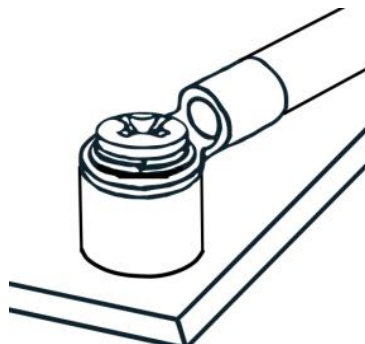
Aluminum spacer (M4) for SMT

Purpose of use

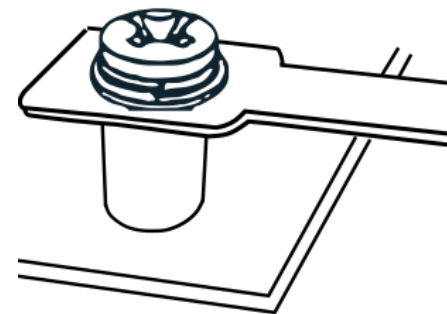
【Connection between upper and lower pc board】



【Connection to harness】



【Connection to busbar】



Product Specifications

Product name	Aluminum spacer
Rated current(max)	40 [A]
Applicable screw	M4
Material	Aluminum
Surface Treatment	Tin plating
Diameter	8 mm
Recommended torque	1.2 [N·m]
Mounting Method	Surface Mount
Delivery form	SMT Embossed Carrier Tape

Product Summary

• **Weight reduction of approx. 70%** compared to brass spacers.

※ Weight : **Aluminum spacer : 0.86 [g/pcs]** **Brass spacers : 2.7 [g/pcs]**
Compared Product : Brass spacers SD30021 (equivalent product)

※ Please contact us for custom designs such as different height,
Penetrating/Non-penetrating type, etc.

Product Features



※Please contact us if you have any questions or concerns about our products.